



।। वा विद्या या विमुक्तये ।।  
भारतीय प्रौद्योगिकी संस्थान धारवाड  
Indian Institute of Technology Dharwad

INDIAN INSTITUTE OF TECHNOLOGY DHARWAD  
Off Pune Bengaluru Highway, Near High Court,  
Dharwad, Karnataka - 580011

**TENDER FOR SUPPLY AND INSTALLATION OF HOSTEL FURNITURE AT INDIAN INSTITUTE OF TECHNOLOGY DHARWAD**

**NOTICE INVITING TENDER (NIT) / RFP**

1.	Tender No.	IITDH/MMD/PC/2022-23/003	
2.	Description	TENDER FOR SUPPLY AND INSTALLATION OF HOSTEL FURNITURE AT INDIAN INSTITUTE OF TECHNOLOGY DHARWAD.	
3.	Tender Category	Goods	
4.	Tender Type	Open Tender	
5.	No. of Covers	2	
6.	<b>Submission of Bids : ON GeM PORTAL ONLY</b>		
7.	<b>Cover No.</b>	<b>Cover Type</b>	<b>Description</b>
	1	Technical	Schedule of Requirement and Compliances, Bidders Information, Previous Supply Orders etc.
	2	Commercial	Commercial Bid
8.	<b>Two Bid System: -</b> The two bid system will be followed for this tender. <b>Note:</b> The technical offer should not contain any price information. If the price quoted is submitted in technical bid the tender will be rejected by IIT Dharwad. Initially Technical Bids will be opened and evaluated by the committee. Commercial bids of only Technically qualified bidders will be opened later. Contract/ Purchase Order will be awarded to the <b>lowest bidder (L<sub>1</sub>) identified.</b>		
9.	Form of Contract	Buy	
10.	Bid Validity (Days):	90 Days	
11.	Period of Work/Delivery Period (Days)	30 Days Part deliveries in not more than 2 lots will be accepted	
12.	Time period for installation	Within 15 days from the receipt of the material at IIT Dharwad	
13.	Tender Publication Date	03.06.2022	
14.	Start date for Submission of queries via email to <a href="mailto:armm@iitdh.ac.in">armm@iitdh.ac.in</a> or in GeM	03.06.2022	
15.	Date of visit to the IIT Dharwad Permanent Campus site by the bidders (if desired)	03.06.2022 – 14.06.2022	
16.	<b>Last date for registration for pre-bid meeting &amp; for submission of queries via email to <a href="mailto:armm@iitdh.ac.in">armm@iitdh.ac.in</a></b>	17.06.2022 till 04:00 PM	
17.	Date of online pre-bid meeting ( <b>mandatory to attend</b> )	20.06.2022 at 03:00 PM	
18.	Date of clarification of queries (to be uploaded on the website/GeM) and publishing corrigendum (if required)	24.06.2022 at 03.00 PM	
19.	Bid Submission Start Date	24.06.2022 at 04:00 PM	
20.	Bid Submission End Date & Time	08.07.2022 till 04:00 PM	
21.	Bid Opening Date & Time	08.07.2022 at 04:30 PM	
22.	Delivery Location	IIT Dharwad Permanent Campus, Karnataka, India	
23.	Pin Code	580011	
24.	Tender Inviting Authority:	Registrar, IIT Dharwad Address: Off Pune Bengaluru Highway, Near High Court, Dharwad, Karnataka- 580011, India	



। सा विद्या या विमुक्तये ।  
भारतीय प्रौद्योगिकी संस्थान धारवाड  
Indian Institute of Technology Dharwad

**INDIAN INSTITUTE OF TECHNOLOGY DHARWAD**  
**Off Pune Bengaluru Highway, Near High Court,**  
**Dharwad, Karnataka - 580011**

**Section – I: Instructions to Bidders**

1. Indian Institute of Technology Dharwad invites tenders (under two bid system) ON GeM portal from reputed suppliers/manufacturers OR authorized dealers for the item as described in Sl.No.2 of page 1 of this document and as per the Technical Specifications given in the Section V of this document.
2. The bidder should note that the technical specifications mentioned in **Section V** form the core of the products. The offers must strictly be as per the specifications given. At the same time, it must be kept in mind that mere copying of our specifications in the quotation shall not make the technical bid eligible for consideration. **A bid has to be supported with original catalogue of the quoted item/s duly signed by the authorised person participating in the bid.** Non-compliance with above shall be treated as incomplete/ambiguous and the bid may be ignored without giving an opportunity to the bidder for further clarification/negotiation etc.

**PRE-BID INTERACTION**

3. In order to clarify on any technical specifications or any issues, a query session (by email) for clarification is provided and an **Online Pre-Bid meeting is also scheduled, which is mandatory for the bidders to attend. Only the bids of those bidders shall be considered who have attended the Online pre-bid meeting.** Resultant rebuttal/re-publishing of modified RFP or corrigendum (as the case may be) will be published on the institute website. **The bidders are advised to utilize the period given for clarifying any issue pertaining to RFP. After the period is over, no issue will be addressed and the institute will assume general acceptance of RFP terms and conditions.** Prospective bidders have to submit their bids post rebuttal/modification in RFP (as the case may be).
4. The prospective bidders are also encouraged to visit the construction site of the IIT Dharwad permanent site, on the date scheduled by the institute for this purpose if they desire. However, this is not a mandatory requirement.
5. Any item not specifically mentioned in the tender document but essential in the opinion of the bidder for successful execution of the order (if awarded), should be brought to the notice of IIT Dharwad within the pre-bid clarification period/in the pre-bid meeting and before end date of submission of queries. On clearance from institute side, the same may be included by the institute by issuing a necessary corrigendum (as the case may be). However, the decision as to whether to consider such items or not, rests with the Institute.
6. The bidder shall ensure that the bid submitted by him includes all accessories (as per annexures) for full execution of contract. The successful bidder shall not charge extra for additional items required to meet the operational requirement at the stage of installation and commissioning.
7. Procedure for Bid Submission: **Bids can be submitted only through GeM portal.**
8. The bidder must submit all documents required for evaluation of technical bid and sought in the RFP as forming part of technical evaluation with signature and seal of the competent authority of the firm. In the event of non-receipt of any of the documents forming part of Technical Bid, bidder may be disqualified from the process. No paper relating to the technical bid will be received during the Technical Bid evaluation or afterwards unless specifically called for by the Committee. Further, any separate correspondence in the matter shall also not be entertained.
9. During evaluation of the Technical Bid, the committee will scrutinize the documents mentioned above and may forward any or all the documents to the concerned authorities for verification and authentication. In case of any document(s) as submitted by the bidder is found/reported to be fake, the bidder will be out of the tendering process and suitable legal action may be initiated against the bidder.
10. The above-mentioned basic eligibility conditions and additional clauses are broad guidelines for pre-qualification and the Director, IIT Dharwad hereby reserves the right to relax/ alter/ modify/ add any or all the conditions.
11. This procurement will be governed by Integrity Pact, which will be monitored by following Independent External Monitors (IEMs):

**Shri Anil Kaushal, ITS (Retd.)**  
**A-1/245, GF Janakpuri, New Delhi – 110058**  
**e-mail : [kaushal.anil17@gmail.com](mailto:kaushal.anil17@gmail.com)**

**Smt Seema Bahuguna, IAS (Retd.)**  
**E-12/7, Vasant Vihar, New Delhi – 110057**  
**e-mail : [bahugunaseema@gmail.com](mailto:bahugunaseema@gmail.com)**



**INDIAN INSTITUTE OF TECHNOLOGY DHARWAD**  
**Off Pune Bengaluru Highway, Near High Court,**  
**Dharwad, Karnataka - 580011**

**SECTION-II: ELIGIBILITY CRITERIA:**

Only those bidders fulfilling the following Eligibility Criteria (supported by documents) are expected to participate in the Tender (**all criteria to be mandatorily fulfilled for technical qualification**): -

S. No.	Eligibility Criteria	Document required
1.	Proof of establishment of company/business for a period of more than 3 years.	The Bidder must be OEM/an authorized partner/dealer in the business of the supply and installation of the subject equipment as described in Sl.No.2 of page 1 of this document for a period not less than 3 years (i.e., must be in this business from 2019 or earlier).  If the Bidder is an authorized partner/dealer, then a Manufacturer's Authorization Form (MAF) must be submitted along with the bid.
2.	Previous experience & copy of performance certificates along with Purchase Orders	- The bidder should have executed one contract for similar works having 80% value of the estimated cost (or)  - The bidder should have executed two contracts for similar works having 60% value of the estimated cost (or)  - The bidder should have executed three contracts for similar works having 40% value of the estimated cost  COPIES OF WORK ORDERS ALONG WITH COMPLETION CERTIFICATES TO BE SUBMITTED ALONG WITH THE BID TO PROVE THE ABOVE.  <b>The above condition supersedes the criteria given in the GeM bid document point No.7, Page 3</b>
3.	Profitability	The bidder should have been profitable in the preceding three financial years. Income Tax returns for the previous 3 Financial Years to be provided.
4.	Minimum Average Annual Turnover of the bidder (in the last 3 years)	Rs.3,00,00,000/-
5.	Minimum Average Annual Turnover of the OEM (in the last 3 years)	Rs.12,00,00,000/-
6.	<b><u>Duly filled and completed Section-V</u></b>  ● Compliance for commercial terms of tender ● Compliance for technical specifications of the equipment to be supplied	The following information on the letter head of the company / bidder: ● Compliance for commercial terms of tender ● Compliance for technical specifications of the equipment to be supplied



। वा विद्या या विमुक्तये ।  
भारतीय प्रौद्योगिकी संस्थान धारवाड  
Indian Institute of Technology Dharwad

**INDIAN INSTITUTE OF TECHNOLOGY DHARWAD**  
**Off Pune Bengaluru Highway, Near High Court,**  
**Dharwad, Karnataka - 580011**

**Section - III: General Conditions of Contract**

**1. Award of Contract:**

On identifying L1 vendor, a Letter of Intent will be issued to the L1 vendor. **The L1 vendor has to compulsorily visit the installation site for taking measurements and for obtaining any other necessary inputs.** A committee from IIT Dharwad may visit the factory/production site to assess the capability of the L1 vendor for successful execution of the contract. **PO shall be issued subsequent to satisfactory report submitted by this committee.**

**2. Evaluation of Bid:**

- a) Technical bids will be evaluated for suitability as per documentary validation, eligibility criteria and technical specifications laid out in this tender document. The bids found suitable will be recommended by the committee and after approval of competent authority shall be deemed as technically suitable offers. The technically qualified bidders will be informed accordingly and commercial bids of such offers will be evaluated on a suitable designated time and date.
- b) Commercial bid will be evaluated by taking into consideration the total cost of all the items quoted.
- c) In case any BIDDER is silent on any clauses mentioned in the bid documents, IIT Dharwad shall construe that the BIDDER has accepted the clauses of the tender and no further claim will be entertained.
- d) No revision in the terms and conditions quoted in the offer will be entertained after the last date and time fixed for receipt of tenders.
- e) Price Bid must be in INR only. **PRICE BID must be submitted as per BoQ on GeM**

3. Any bidder from a country which shares a land border with India will be eligible to bid in this tender only if the bidder is registered with the Competent Authority in compliance with Dept. of Expenditure Ministry of Finance OM No. F.No.6/18/2019-PPD dt. 23/07/2020 as amended from time to time.

4. Bidders should comply with Public Procurement (Preference to Make in India) order 2017 issued vide DPIIT Order No. 45021/2/2017-B.E-II dated 15/06/2017 as amended from time to time.

**5. Corrupt & Fraudulent Practices:**

IIT Dharwad requires that bidders, suppliers, contractors and consultants, if any, observe the highest standard of ethics during the procurement and execution of such contracts. In pursuit of this policy, the terms set forth below are defined as follows:

- a) "Corrupt practice" means the offering, giving, receiving, or soliciting, directly or indirectly, of anything of in kind/value to influence the action of a public official in the procurement process or in contract execution;
- b) "Fraudulent practice" means a misrepresentation or omission of facts in order to influence a procurement process or the execution of a contract;
- c) "Collusive practice" means a scheme or arrangement between two or more bidders, designed to establish bid prices at artificial, non- competitive levels; and
- d) "Coercive practice" means harming or threatening to harm, directly or indirectly, persons or their property to influence their participation in the procurement process or affect the execution of a contract;
- e) IIT Dharwad will reject a proposal for award if it determines that the Bidder recommended for award has, directly or through an agent, engaged in corrupt, fraudulent, collusive or coercive practices in competing for the Contract in question.

**6. Pre-installation:**

Please also mention the pre-installation requirements for the equipment like ambient temperature, humidity, civil work, weather specifications, power specifications, etc. When all items are provided, full performance satisfaction should be demonstrated to IIT Dharwad. The vendor has to physically inspect the site and shall make a note of the actual physical conditions of (ambient temperature, humidity, weather and power availability). The vendor shall be responsible of the correctness of the data and consideration in the design and supply of all equipment accordingly. The vendor shall clearly specify requirement to be provided from IIT Dharwad during the initial visit. The vendor shall inspect all electrical installations, for leak currents, Earthing and required safety of the equipment's, if any and ensure correctness.

**7. Terms of Payment: (For Indigenous Supplies and quotes in INR):**



। सा विद्या या विमुक्तये ।  
भारतीय प्रौद्योगिकी संस्थान धारवाड  
Indian Institute of Technology Dharwad

**INDIAN INSTITUTE OF TECHNOLOGY DHARWAD**  
**Off Pune Bengaluru Highway, Near High Court,**  
**Dharwad, Karnataka - 580011**

100% payment shall be released after delivery, installation, commissioning, demonstration, training, testing and receipt of Acceptance Certificate of concerned Department / Section / Materials Management Division, IIT Dharwad and on submission of Performance Guarantee as per PO terms.

**8. Transfer and Subletting:**

The seller shall not sublet, transfer, assign or otherwise part with the acceptance to the tender or any part thereof, either directly or indirectly, without the prior written permission of the Purchaser.

- 9. Option Clause:** The institute shall reserve the right, but without any obligation to do so, to increase or decrease the ordered quantity up to 25 percentage at any time, till the final delivery date of the contract, by giving reasonable notice and commensurate delivery period, even though the quantity ordered initially has been supplied in part/full before the last date of Delivery Period.

**10. Delivery Terms (only DDP mode of shipment acceptable):**

Items should be delivered to the specified location in the permanent campus of IIT Dharwad, Karnataka, India – 580011, free of cost. The supplier should arrange for entire process from origin of equipment to the Stores at IIT Dharwad (including charges for safe packing, Marking & labelling, loading charges, road/air freight, insurance of goods, unloading charges, transport & unloading at buyer destination, installation, commissioning, demonstration and training; within the quoted price).

**For the purpose of easy tracking of the assets, the successful bidder is required to emboss on the products or fix/rivet metal plates punched (as per the nomenclature provided by IIT Dharwad) on the material to be delivered at IIT Dharwad, at no additional cost**

- 11. Freight & Insurance:** No freight and insurance charges will be provided and the materials are to be delivered at IIT Dharwad Permanent Campus, IIT Dharwad at the cost and risk of the supplier/Bidder within quoted price as per the delivery terms mentioned in the above paragraphs.
- 12. Warranty Condition:**
- The Bidder/supplier must give an **on-site support and maintenance** for a period specified in respect of the subject item (mentioned in Section-IV) from the date of commissioning and acceptance of the items.
  - The warranty provided shall be industry standard.
  - Any deviation in the equipment and the specification from the accepted terms and conditions may lead to rejection and non-acceptance of stores. In such case, the bidder/manufacture is required to supply all the items in the specified form to the satisfaction/ specifications mentioned in the order and demonstrate at their own cost. The payments shall be made only after receiving the materials as per required specification and quality to the satisfaction of the competent authority of IIT Dharwad.
- 13. Service Centre Condition:**  
The bidders should have a service center within the radius of 500 kms from IIT Dharwad, to attend to any service related issues within 24 hours of intimation during the warranty period.
- 14. Installation & Commissioning:**
- The successful bidder is required to carry out the supply, installation & commissioning of the subject item at the permanent campus of IIT Dharwad installation site within the delivery period; otherwise, the penalty clause will be the same as per the supply of material (refer to the liquidated damages below).
  - In case of any mishandling/damage to items and supplies during carriage from the origin of items to the installation site, the successful bidder has to replace it with new items/supplies immediately at his own risk and cost. IIT Dharwad shall not be liable for any type of losses in any form.
  - Successful bidder shall be responsible for installation / demonstration wherever applicable and for after sales service during the warranty period and thereafter as mentioned in the contract.
  - Installation demonstration to be arranged by the successful bidder within the quoted price and the same is to be done within 15 days of the arrival of the equipment at site or whenever informed by IIT Dharwad.
- 15. Liquidated Damages:** The equipment should be delivered/dispached to destination and ready for use not later than the delivery period specified. If the supplier/Bidder fails to deliver any or all the stores or perform the service by the specified date, liquidated damages @0.5% per week or part thereof in respect of the



। सा विद्या या विमुक्तये ।  
भारतीय प्रौद्योगिकी संस्थान धारवाड  
Indian Institute of Technology Dharwad

**INDIAN INSTITUTE OF TECHNOLOGY DHARWAD**  
**Off Pune Bengaluru Highway, Near High Court,**  
**Dharwad, Karnataka - 580011**

value of the delayed stores will be deducted from the bill subject to a maximum of 10% value. Same terms are applicable for installation, training and demonstration clause mentioned above.

**16. Dispute and Jurisdiction:**

Any legal disputes arising out of any breach of contract pertaining to the whole process of this tender shall be settled in the court of competent jurisdiction in the district of Dharwad, Karnataka.

**17. Cancellation of Tender:**

- a) Notwithstanding anything specified in this tender document, Purchaser/IIT Dharwad in his sole discretion, unconditionally and without assigning any reasons, reserves the rights:
  - i. To accept or reject lowest tender or any other tender or all the tenders.
  - ii. To accept any tender in full or in part.
  - iii. To reject the tender, offer not confirming to the tender terms.
  - iv. To cancel the tender at any stage during the evaluation & before award of work

**18. Force Majeure:**

- a) The Supplier shall not be liable for imposition of liquidated damages or termination for default, if and to the extent that, its delay in performance or other failure to perform its obligations under the Contract is the result of an event of Force Majeure.
- b) For purposes of this Clause, "Force Majeure" means an event beyond the control of the Supplier and not involving the Supplier's fault or negligence and not foreseeable. Such events may include, but are not limited to, acts of the Purchaser either in its sovereign or contractual capacity, wars or revolutions, fires, floods, epidemics, quarantine restrictions and freight embargoes.
- c) If a Force Majeure situation arises, the Supplier shall promptly notify the Purchaser in writing of such conditions and the cause thereof. Unless otherwise directed by the Purchaser in writing, the Supplier shall continue to perform its obligations under the Contract as far as is reasonably practical, and shall seek all reasonable alternative means for performance not prevented by the Force Majeure event.

**19. Specification and Samples:** The suppliers shall supply the items/material in accordance with the specifications/ descriptions given in the acceptance of tender. The Purchaser reserves the rights to alter the description of stores including drawings given in the acceptance of tender. In the event any such alteration result in any implication to the deliver and price, such implication shall be mutually agreed between the Purchaser and supplier. In case certified sample has been issued by the Purchaser and the Specifications / Drawings also exist in the acceptance of tender then the certified sample will govern the supply to the extent of material, workmanship and finished product

**20. Inspections and Tests**

- a) The Purchaser or its representative shall have the right to inspect and/or to test the Goods to confirm their conformity to the Contract specifications at no extra cost to the Purchaser.
- b) The inspections and tests may be conducted on the premises of the Supplier or its subcontractor(s), at point of delivery and/or at the Goods final destination. If conducted on the premises of the Supplier or its subcontractor(s), all reasonable facilities and assistance, including access to drawings and production data shall be furnished to the inspectors at no charge to the Purchaser.
- c) Should any inspected or tested Goods fail to conform to the specifications, the Purchaser may reject the goods and the Supplier shall either replace the rejected Goods or make alterations necessary to meet specification requirements free of cost to the Purchaser.
- d) The Purchaser's right to inspect, test and, where necessary, reject the Goods after the Goods' arrival at Project Site shall in no way be limited or waived by reason of the Goods having previously been inspected, tested and passed by the Purchaser or its representative prior to the Goods shipment.
- e) Nothing in this clause shall in any way release the Supplier from any warranty or other obligations under this Contract

**21. Supervision of Commissioning:**

Successful BIDDER shall depute concerned specialist, for supervision of commissioning of the items to be carried out. The successful BIDDER shall make necessary arrangement at their own expenses for stay, transport and other expenses of their manpower during their stay in Dharwad which also includes imparting free of cost training to IIT Dharwad personnel.





। सा विद्या या विमुक्तये ।  
भारतीय प्रौद्योगिकी संस्थान धारवाड  
Indian Institute of Technology Dharwad

**INDIAN INSTITUTE OF TECHNOLOGY DHARWAD**  
**Off Pune Bengaluru Highway, Near High Court,**  
**Dharwad, Karnataka - 580011**

**22. Performance Guarantee (as per GFR 2017 Rule 171):**

- a) Successful bidder has to furnish 5% of the contract value as a performance security for a period of two months beyond the end of all warranty related obligations.
- b) Performance Security may be furnished in the form of Insurance Surety Bonds, Account Payee Demand Draft, Fixed Deposit Receipt from a Commercial bank, Bank Guarantee from a Commercial bank or online payment in an acceptable form safeguarding the purchaser's interest in all respects as per GFR 2017, Rule 171 and as amended from time to time.



। सा विद्या या विमुक्तये ।  
भारतीय प्रौद्योगिकी संस्थान धारवाड  
Indian Institute of Technology Dharwad

**INDIAN INSTITUTE OF TECHNOLOGY DHARWAD**  
**Off Pune Bengaluru Highway, Near High Court,**  
**Dharwad, Karnataka - 580011**

**Section – IV : Additional Conditions of Contract**

**ADDITIONAL TERMS AND CONDITIONS FOR PROCUREMENT  
HOSTEL FURNITURE**

<b>SN</b>	<b>DETAILS OF CONDITION</b>
1	Material to be used should be re-cyclable and should be environment friendly.
2	All the material used shall have BIS certification
3	All the engineered wood shall have ECO mark as per BIS
4	No Formaldehyde based resin used for the manufacturing of engineered wood
5	Certification for the Indoor Air Quality (Low VOC) to be attached by the bidder.
6	The committee may visit the manufacturing center of the OEM to evaluate the manufacturing capacity, quality control etc of the firm
7	Manufacturer should have all the necessary machinery and capability to fabricate the furniture as per contract. Necessary documentary evidence to be submitted
8	Manufacturer should have AIOTA certification
9	Bidder shall submit the Item wise Product Catalogue with Image.
10	Manufacturer to provide In-house testing certificates as per relevant standards for the products mentioned in the tender for evaluation
11	On award of the contract, the successful bidder shall immediately submit the detailed working drawings of the corresponding furniture to IIT, Dharwad for approval. The fabrication of furniture to be taken up only after approval of drawing. The successful bidder shall organize a mockup room with all the sample furniture as per the layout plan, at permanent campus of IIT for approval before initiation of bulk production
12	The furniture will carry One year standard industry warranty.
13	The drawings can be downloaded from the following link: <a href="https://drive.google.com/drive/folders/1XyhBbWTeEILiq4l1abYz_yyFwxzTrZ1l?usp=sharing">https://drive.google.com/drive/folders/1XyhBbWTeEILiq4l1abYz_yyFwxzTrZ1l?usp=sharing</a>





**INDIAN INSTITUTE OF TECHNOLOGY DHARWAD**  
**Off Pune Bengaluru Highway, Near High Court,**  
**Dharwad, Karnataka - 580011**

**Section V – Complete Schedule of Requirements and Compliance**

**This section has following compliance requirements:**

<b>i</b>	Compliance for commercial terms and conditions of tender
<b>ii</b>	Compliance for technical specifications of the equipment to be supplied

**i. Table of compliance for commercial terms & conditions of tender (to be filled by bidder)**  
**(NO FIELD TO BE LEFT BLANK)**

Sr. No.	Terms and Conditions	IIT Dharwad tender requirements	Response by Bidder M/s _____
1.	Unconditional acceptance to all the Terms and conditions set out herein	Declaration to be provided	
2.	Price Bid Format	BoQ	
3.	Price Bid Currency	INR only	
4.	Delivery terms	only DDP Mode Door Delivery (Refer point 10 of Section-III)	
5.	Freight & Insurance	Refer point 11 of Section-III	
6.	On-site Warranty	Refer point 12 of Section-III	
7.	Installation & Demo	Refer point 14 of Section-III	
8.	GST Rate (If Local supply in India)	Applicable rate @18%	
9.	Terms of Payment	Refer point 7 of Section-III	
10.	Performance Guarantee	Refer point 22 of Section-III	
11.	PAN	Copy of PAN required	
12.	GST	Copy of GST certificate required	
13.	ITRs (2018-19 to 2020-21)	Last 3 financial years' ITR required	
14.	Proof of Business existence	For a period of more than 3 years	
15.	Percentage of local content as per DPIIT Order No. 45021/2/2017-B.E-II dated 15/06/2017 as amended from time to time	Declaration to be provided with all relevant details	
16.	Previous Experience (Refer point 2) of Section-II)	Necessary documents to be attached	
17.	Blacklisting status	Submit a declaration in this regard	
18.	OEM Details (MAF/Authorisation from OEM to participate on their behalf)	Please attach the OEM details and MAF/Authorisation from OEM to participate on their behalf	
19.	Bidder should submit company profile including infrastructure available and their complete product range.	Necessary documents/brochures to be provided	



**INDIAN INSTITUTE OF TECHNOLOGY DHARWAD**  
**Off Pune Bengaluru Highway, Near High Court,**  
**Dharwad, Karnataka - 580011**

**ii. Table of compliance for technical specifications of the equipment to be supplied (to be filled by bidder)**

Technical specifications of the equipment as per item described in Sl.No.2 of page 1 of this document

**1. HOSTEL WARDROBE**

S No	Description	Whether Complied Yes or No	Specifications of the quotes product
A	<u>Product size</u> 1300(W) x 500(D) x 2110(H) mm (**including the pedestal height) (divided to 2 parts of 650(W) x 500(D) x 2110(H)mm) Max tolerance – (-ve)10mm		
B	<u>Material</u> (a) MS sheet conforming to commercial quality CR-2, Grade D, CRCA sheet as per IS 513 (b) MIG/TIG welding construction process (c) Minimum thickness of 20 gauge (d) Primary steel to be used		
C	<u>Anti-rust treatment</u> Pre-treatment using 10 tank anti-rust treatment and B grade phosphating needs to be carried out		
D	<u>Hanging rod</u> SS 304 tube of 25mm dia and 18 gauge thick with SS curtain rod holder		
E	<u>Shelves</u> 4 numbers of adjustable shelves with capacity per full shelf shall not be less than 40Kg		
F	<u>Door</u> 1300mm wide wardrobe will be divided into two individual wardrobes of 650mm wide and shall be provided with doors & locking arrangement 20 gauge CRCA sheet stiffener need to be provided for the door upto full height Door should be stable and should not hang under repeated usage. Also arrangement to be made for the effective closing of the door.		
G	<u>Wardrobe door hinges</u> Main unit - Each door to be provided with 4 Nos of hinges		
H	<u>Wardrobe Locking</u> 3 point bolting arrangement with lever handle Mazak alloy for opening and closing of the door Also provide provision to lock door using padlock for doors of SS304 of 4mm thk (Refer drawing)		
I	<u>Pedestal</u> Size – 45(H)mm of 20 gauge CRCA sheet Pedestals needs to be provided with bushes of high quality nylon which are impact and vibration resistant		
J	<u>Finish</u> Epoxy polyester powder coated with DFT not less than 50microns		
K	All the edges and corners have to be rounded to avoid sharp		
L	<u>Locker</u> Size – 370(W) x 450(D) x 200(H) mm With provision to lock door using padlock for doors of SS304 of 4mm thk (Refer drawing)		





। सा विद्या या विमुक्तये ।  
भारतीय प्रौद्योगिकी संस्थान धारवाड  
Indian Institute of Technology Dharwad

INDIAN INSTITUTE OF TECHNOLOGY DHARWAD  
Off Pune Bengaluru Highway, Near High Court,  
Dharwad, Karnataka - 580011

## 2. HOSTEL TABLE

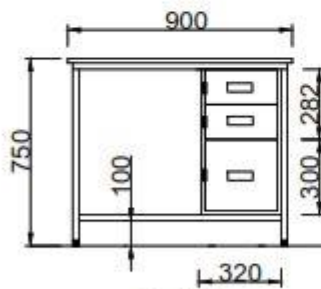
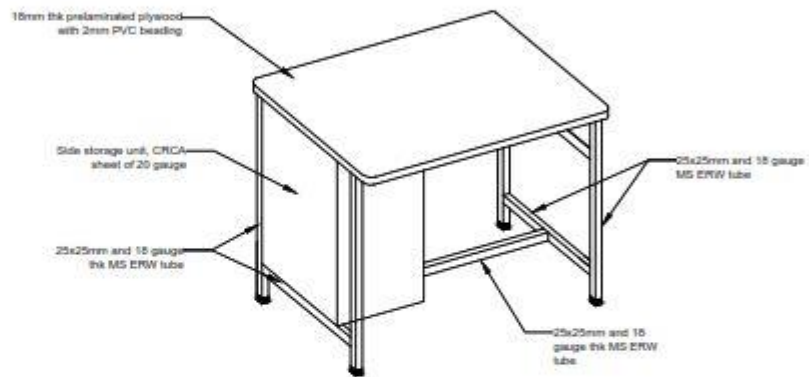
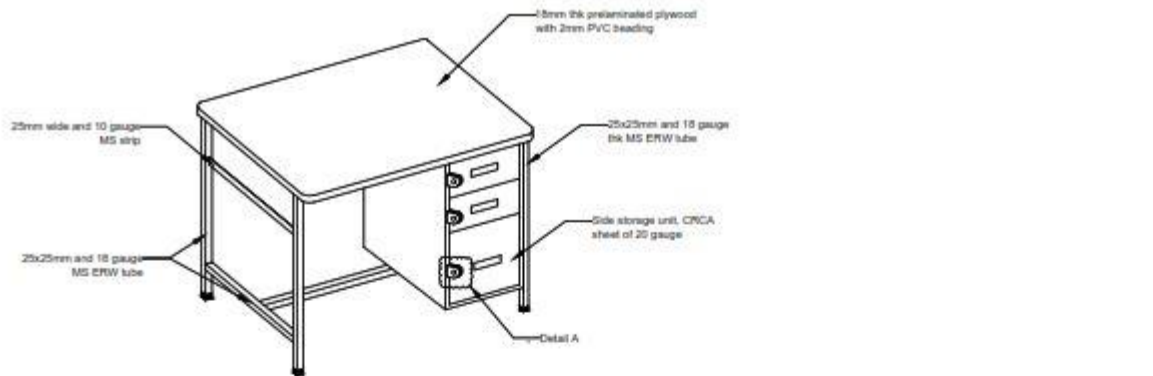
S NO.	DESCRIPTION
A	<u>Product size</u> 900(W) x 750(D) x 750(H) Max tolerance – (-ve)10mm
B	<u>Table top</u> Prelaminated plywood boards (as per IS 710) (water, fire and termite resistant) with walnut finish of minimum 18mm thk with high quality PVC edge beading of 2mm thk by hot melt EVA glue All the corners has to be rounded to avoid any sharp corners Supported by MS ERW square tube of 25x25mm and 18 gauge thick
C	<u>Under structure</u> Tubular frame, foot rest and other supports – 25x25mm and 18 gauge thick MS ERW tubes <u>Support (For hanging materials)</u> 25mm wide and 10 gauge thick MS flat <u>Side storage</u> MS sheet conforming to commercial quality CR-2, Grade D, CRCA sheet as per IS 513 & minimum thickness of 20 gauge • MIG/TIG welding construction process
D	All steel used should be primary steel
E	<u>Side storage</u> Size – 320(W) x 500(D) x 582(H) mm 2 Nos drawer unit and 1 Nos swing door unit Provided with recessed plastic handle Also provide provision to lock drawers/doors using padlock (Refer drawing) With ball telescopic slides with average weight Of 0.6 Kg per set having average thickness of 1 mm steel member of channel
F	<u>Anti-rust treatment</u> Pre-treatment using 10 tank anti-rust treatment and B grade phosphating needs to be carried out
G	<u>Finish</u> Epoxy polyester powder coated with DFT not less than 50microns
H	Bushes of high quality nylon which are impact and vibration resistant
I	<u>Finish</u> Laminate – Walnut finish Under structure – RAL 9002



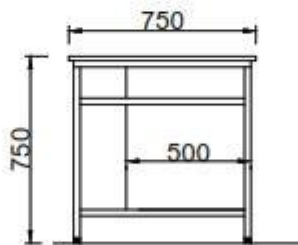
। रा विद्या या विमुक्तये ।  
भारतीय प्रौद्योगिकी संस्थान धारवाड  
Indian Institute of Technology Dharwad

# INDIAN INSTITUTE OF TECHNOLOGY DHARWAD

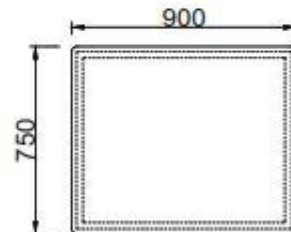
Off Pune Bengaluru Highway, Near High Court,  
Dharwad, Karnataka - 580011



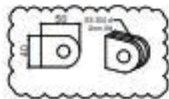
Front View



Side View



Top View



Detail A

IIT DHARWAD

HOSTEL FURNITURE

HOSTEL TABLE



। सा विद्या या विमुक्तये ।  
भारतीय प्रौद्योगिकी संस्थान धारवाड  
Indian Institute of Technology Dharwad

INDIAN INSTITUTE OF TECHNOLOGY DHARWAD  
Off Pune Bengaluru Highway, Near High Court,  
Dharwad, Karnataka - 580011

### 3. HOSTEL COT

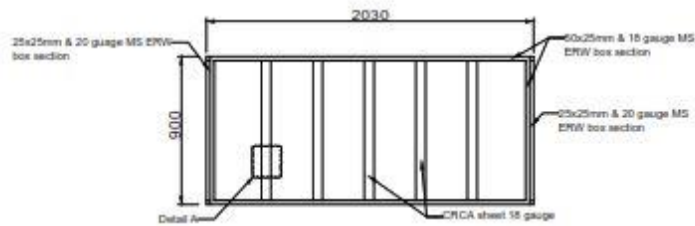
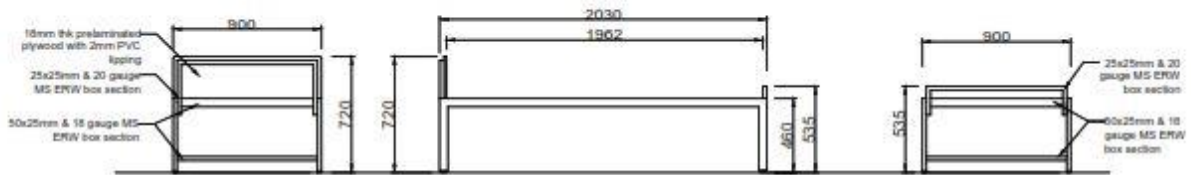
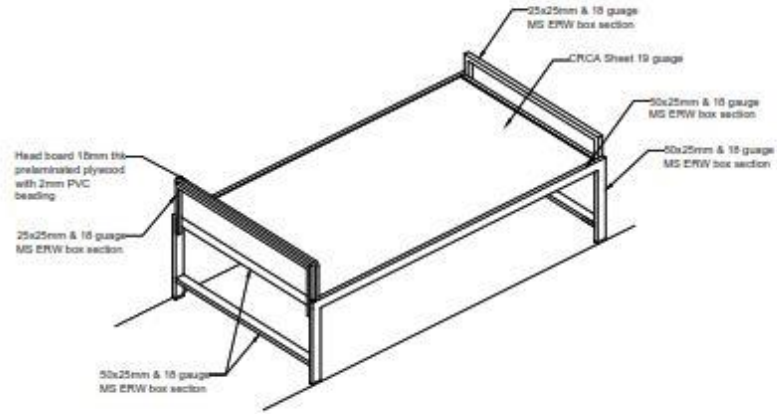
S NO.	DESCRIPTION
A	<u>Product size</u> 900(W) x 2030(D) mm (3(W) x 6.67(D) ft) 460(H)mm upto bed top 760(H)mm upto head-board top 535(H)mm upto foot-board top Max tolerance – (-ve)10mm
B	<u>Material</u> <ul style="list-style-type: none"><li>• Cot leg - 50 x 25mm &amp; 18 gauge thk MS ERW box section</li><li>• Frame (for plank support) structure - 50 x 25mm &amp; 18 gauge thk MS ERW box section</li><li>• Stiffners for sheet metal – 18 gauge CRCA sheet metal of 5 nos (refer drawing)</li><li>• Sheet metal - MS sheet conforming to commercial quality CR-2, Grade D, CRCA sheet as per IS 513 &amp; minimum thickness of 19 gauge. Supported on MS L-angle should have cross-section of 35 (H) × 25 mm (D), with a minimum 14 gauge</li><li>• It has to be ensured that the flexing of sheet metal doesn't happen and additional ribs should be provided in the sheet</li><li>• Head board and foot board pipe – 25 x 25mm &amp; 18 gauge thk MS ERW box section</li><li>• MIG/TIG welding construction process</li><li>• Head board - Prelaminated plywood boards (BWP grade) of minimum 18mm thk with high quality PVC edge beading of 2mm thk by hot melt EVA glue</li><li>• Primary steel to be used</li></ul>
C	<u>Anti-rust treatment</u> Pre-treatment using 10 tank anti-rust treatment and B grade phosphating needs to be carried out
D	<u>Finish</u> All the metal part should be provided with epoxy polyester powder coated with DFT of not less than 50microns
E	Bushes of high quality nylon which are impact and vibration resistant
F	<u>Finish</u> Laminate – Walnut finish Colour – Combination of RAL 9002 & RAL 8007



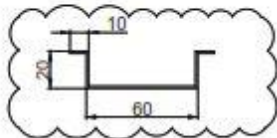
। रा विद्या या विमुक्तये ।  
भारतीय प्रौद्योगिकी संस्थान धारवाड  
Indian Institute of Technology Dharwad

# INDIAN INSTITUTE OF TECHNOLOGY DHARWAD

Off Pune Bengaluru Highway, Near High Court,  
Dharwad, Karnataka - 580011



Cot frame detail



Detail A - Stiffner

IIT DHARWAD

HOSTEL FURNITURE

HOSTEL COT





। सा विद्या या विमुक्तये ।  
भारतीय प्रौद्योगिकी संस्थान धारवाड  
Indian Institute of Technology Dharwad

INDIAN INSTITUTE OF TECHNOLOGY DHARWAD  
Off Pune Bengaluru Highway, Near High Court,  
Dharwad, Karnataka - 580011

#### 4. HOSTEL CHAIR

S NO.	DESCRIPTION
A	<u>Product size</u> 600(W) x 580(D)mm Seat height – 460mm Overall height – 830mm Tolerance - +/-10mm
B	<u>Material</u> Single piece plastic molded made of polypropylene with indoor grade UV resistance
C	Back, seat and arm support should be perforated
D	<u>Finish</u> Colour – Charcoal Grey



#### Make List

S. No	Raw Material	Approved Make
1	Pre Laminated Board	Century/Green/Marino
2	Laminates	Century/Green/Marino
3	Fittings & Hardware	Hettich/Ebco/Godrej
4	Aluminium Extruded Section	Jindal/Tata/Hindalco
5	Locks	Hettich/Ebco/Godrej
6	Steel	Tata/SAIL/Jindal
7	Powder Coating	Nerolac/Asian/ Berger